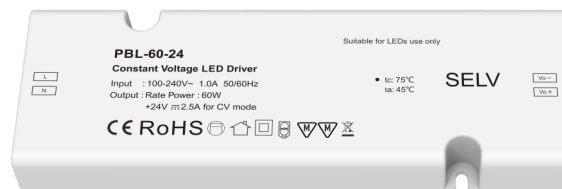


PBL-60-12, PBL-60-24

Sensor

Constant Voltage LED Driver

- 100-240VAC Input
- 1 channel constant voltage output, Max. total output power 60W
- Ultra-thin design, light weight and high efficiency
- Over-load / Short circuit protection
- Suitable for indoor LED lighting application
- 5 Year, 50,000hr warranty



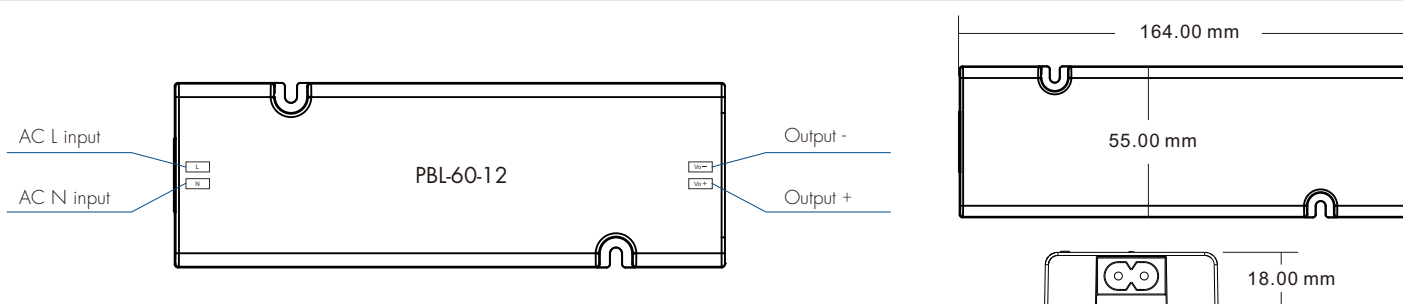
Applications

- Suitable for cabinet LED strip.

Technical Parameters

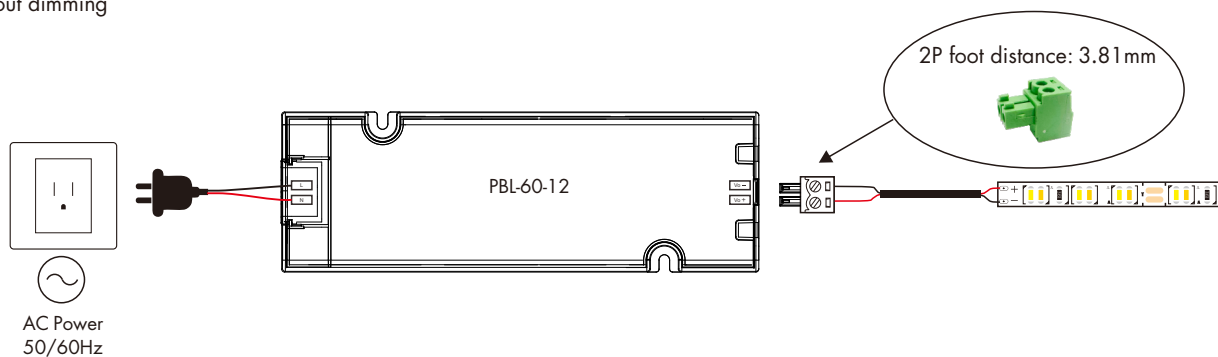
Model	PBL-60-12	PBL-60-24
Output	Output Voltage	12VDC
	Output Current	Max. 5.0A
	Output Power	Max. 60W
	Startup time	1s/230VAC, 2s/115VAC
	Dimming Range	0~100%
	Ripple & Noise	600mVpp
Input	Input Voltage Range	100~240VAC
	Frequency Range	50/60Hz
	Efficiency	88%
	Alternating Current	1.0A/100VAC, 0.5A/230VAC
	Power Factor	0.5
	No Load Power	0.3W
	Inrush Current	Cold start 38A
	Anti Surge	LN:1KV
	Leakage Current	<0.75mA
Protection	Over Load	Shut down the output Voltage, when the load \geq 110%~140%, auto recovers.
	Short Circuit	Shut down the output Voltage, auto recovers
Environment	Working Temperature	-20°C~45°C
	T _{case} Max	75°C
	Working Humidity	20%~90%RH, non-condensing
	Storage Temperature/Humidity	-40°C~80°C, 10%~95%RH
	Temperature Coefficient	$\pm 0.03\%/^{\circ}\text{C}$ (0-50%)
	Vibration Resistance	10-500Hz, 2G, 6min/cycle, X, Y, Z axes/2min
IP Rating	IP20	
Safety & EMC	Security Specifications	IEC/EN61347-1, IEC/EN61347-2-13, GB19510.14
	Withstand Voltage	I/P-O/P: 3750VAC
	Insulation Resistance	I/P-O/P: 100M Ω / 500VDC / 25°C / 70%RH
	EMC Emission	EN61000-3-2 Class C, IEC61000-3-3
	EMC Immunity	EN61000-4-2.3.4.5.6.8.11, EN61547
	Certifications	CE
Others	Net weight	150g
	Gross weight	170g
	Size	164x55x18mm
NOTE	All parameters NOT specially mentioned are measured at 230VAC input, rate current and 25 °C of ambient temperature.	

Mechanical Structures and Installations

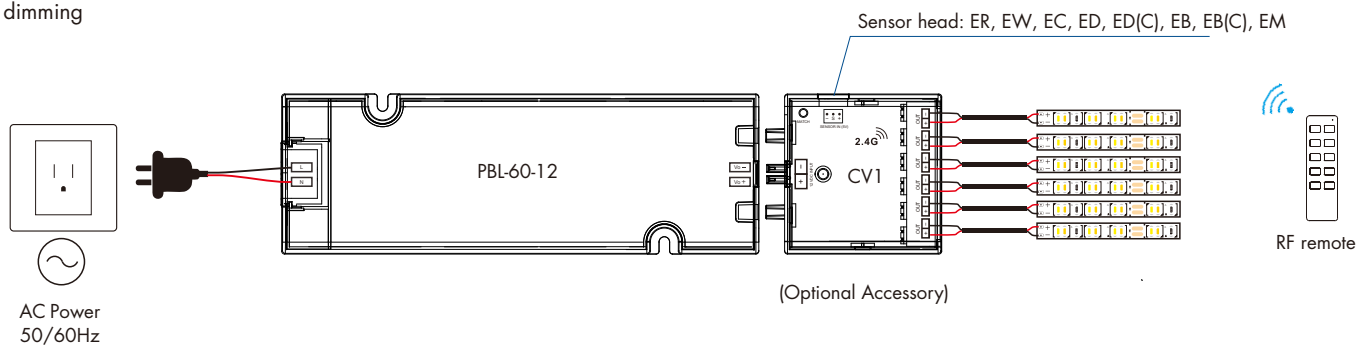


Wiring Diagram

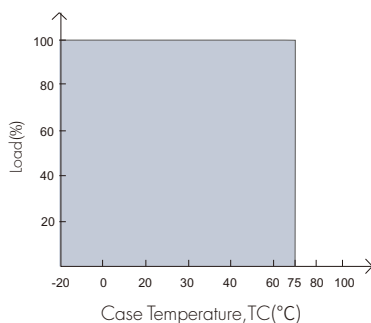
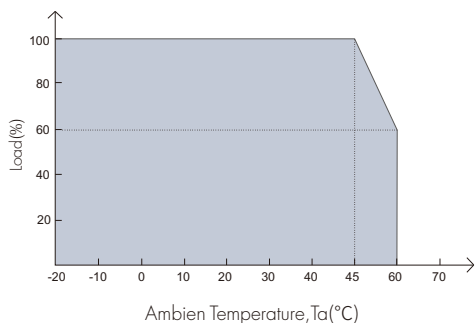
1. Without dimming



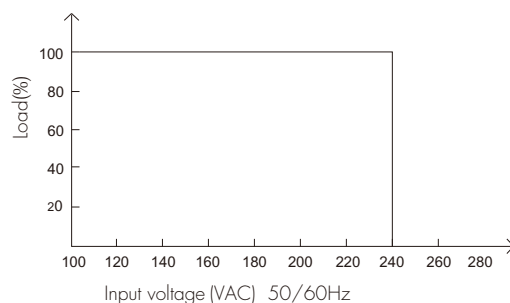
2. With dimming



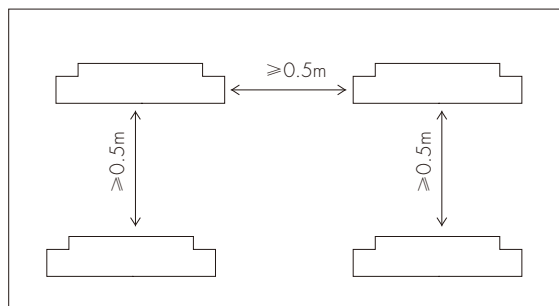
Output Load VS Temperature



Static characteristic



Installation precautions

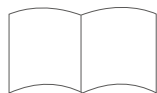


Please do not stack the products.
The distance between two products should be $\geq 0.5m$,
so as not to affect heat dissipation and lifespan of the products.

Packing List



LED Driver
1 pcs



User Manual
1 pcs



2P Terminal
1 pcs



Accessories
(screw 2 pcs)



Slotted
screwdriver
1 pcs



Power supply cable
(Line length 1.5 meters)
1 pcs